

1 **ARTICLE IX. SIGNS**

2 **Section 30-9.1. Short Title; Purpose and Intent.**

3 This article shall be known as the “sign code.” The purpose and intent of this sign code is to preserve  
4 and protect the health, safety, welfare, and general well-being of citizens by promoting public safety,  
5 economic vitality, and aesthetic qualities through regulations for the use and maintenance of signs that  
6 are:

- 7 A. Compatible with their surroundings and appropriate within the parameters of the Comprehensive  
8 Plan;
- 9 B. Appropriate to the type of activity to which they pertain;
- 10 C. Expressive of the identity of the individual proprietors or of the community as a whole;
- 11 D. Large enough to sufficiently convey a message about the owner or occupants of a particular  
12 property, the products or services available on such property, or the business activities conducted  
13 on such property, yet small enough to preserve and protect the natural beauty of the city and limit  
14 distractions to motorists;
- 15 E. Not concentrated in a manner that results in clutter and unnecessary distraction to motorists;
- 16 F. Placed in locations that do not result in the unnecessary removal of vegetation;
- 17 G. Compatible to a pedestrian and motorist scale; and
- 18 H. Otherwise conducive to the preservation and protection of the public health, safety, and welfare.

19 **Section 30-9.2. Applicability.**

20 This sign code applies to the use and maintenance of all signs within the City of Gainesville.

21 A. *Exemptions.*

- 22 1. Signs described by the Manual of Uniform Traffic Control Devices;
- 23 2. Signs required by federal or state law or regulation;
- 24 3. Signs necessary for public safety efforts, including but not limited to signs necessary for law  
25 enforcement, fire rescue, and storm debris clean-up;
- 26 4. Signs indicating obstruction of a road;
- 27 5. Signs placed by a utility identifying underground lines, poles, above-ground lines, pipes, or other  
28 facilities; and
- 29 6. Signs placed by a transit company along its routes to indicate stops and routes.

30 B. *Sign regulations elsewhere in Code of Ordinances.* Sign regulations for specific uses and/or locations  
31 are provided for elsewhere in the Code of Ordinances and where there is conflict with this sign code,  
32 the sign regulations for specific uses and/or locations shall prevail. Sign regulations for specific uses  
33 and/or locations include, but are not limited to, the following:

- 34 1. Outdoor gun club in the agriculture zoning district. See section 30-6.29.

- 1        2. Historic preservation/conservation district. New signs within a historic district or on property
- 2        that is listed on the local or National Register of Historic Places will be approved in accordance
- 3        with the Historic Preservation Rehabilitation and Design Guidelines.
- 4        3. Temporary sales and leasing office(s). See section 30-6.55
- 5        4. Bed and breakfast establishments. See section 30-6.4.
- 6        5. Food distribution centers for the needy as a principal use, see section 30-6.12. As an accessory
- 7        use to a place of religious assembly, see section 30-6.22.
- 8        6. Farmers markets. See section 30-6.11.
- 9        7. Permanent development identification signs and structures. See section 30-4.44.

**Section 30-9.3. Prohibited Signs.**

Any sign not expressly authorized by this sign code is prohibited. The following signs are expressly prohibited within city limits, except as otherwise provided by this sign code:

- A. Off-premises signs;
- B. Portable signs;
- C. Vehicle signs that are parked in a location for greater than one hour and are being used as an off-premises sign;
- D. Roof signs;
- E. Electronic signs;
- F. Animated signs;
- G. Snipe signs;
- H. Revolving signs;
- I. Pennants;
- J. Spinners (See Figure 1);

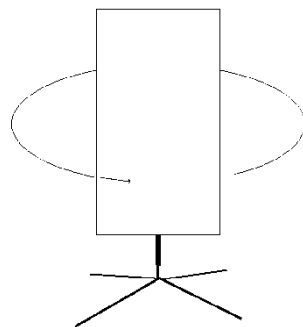


Figure 1.

- K. Feather, flutter, bow, and twirler signs;
- L. Sandwich boards, A-frame signs, and swinger signs;

- 1 M. Balloons, dancing tubes, and other tethered inflatable promotional devices; and
- 2 N. Obscene signs.

**Section 30-9.4. Signs Not Requiring a Permit.**

4 The following signs may be used without a permit, provided that such signs meet the applicable  
 5 regulations in this section and Section 30-10.6 and have no electrical parts or usage unless ULI listed.  
 6 Any signage allowable per this section is in addition to any signage allowable per Sections 30-10.7 and  
 7 30-10.8.

8 A. *Signs necessary to preserve life and prevent serious injury.*

Sign type	Max #	Max sign area (sq. feet)	Max height (feet) (freestanding signs)	Notes
Address, identification, contact information	1 per street frontage	6	6	Characters shall not exceed eight inches in height for nonresidential uses.
Direct/guide traffic and parking (building identification may be included)	N/A	6	6	Example: Parking, entrance, exit, one-way, service, etc.
General safety/caution or to prohibit trespassing	N/A	4	6	Non-illuminated.
Safety/caution of the location and direction of underground utility lines	1 per block face or every 200 feet, whichever is less	0.5	3	Non-illuminated. Signs should not be clustered at street corners unless required because of a directional change to the underground line.
On hospital grounds, directing the public to the emergency room- wall-mounted	1 per street frontage	Lesser of 10% of the wall or 100 sq. ft.	N/A	At least one sign shall be located on front face of emergency room entry. May include directional arrows. May only read "EMERGENCY" or similar text.
On hospital grounds, directing the public to the emergency room- freestanding	1 per street frontage or entrance	24	10	

9

1 B. *Signs that contain no commercial message.*

Sign location	Max #	Max sign area (sq. feet)	Max height (feet)	Setback from side property line (feet)
Residential district	N/A	6	4	10
Nonresidential district	N/A	32	8	15

- 2
- 3 1. Signs pertaining to an event, such as an election, must be removed no later than three days
- 4 after the event.
- 5 2. The allowable signage in this subsection is in addition to the general provision in Section 30-10.6
- 6 regarding substitution of messages, where any signage otherwise permitted per Sections 30-
- 7 10.7 and 30-10.8 may at the option of the owner contain either a commercial or noncommercial
- 8 message, provided that the sign otherwise meets the provisions of this sign code.

9 C. *Contractor signs.*

Sign location	Max #	Max sign area (sq. feet)	Max height (feet)	Setback from property line and from driveway (feet)
Individual single family homes	3	6	4	10
Subdivision and multi-family developments	3	32	8	10
Nonresidential district	3	32	8	15

- 10 1. May not be displayed until after the issuance of construction permits by the building official.
- 11 2. Shall be removed no later than three days after the final Certificate of Occupancy is issued.

12 D. *Real estate signs.*

Sign location	Max #	Max sign area (sq. feet)	Max height (feet)	Setback from property line and from driveway (feet)
Residential district	3	6	4	10
Nonresidential district	3	32	8	10

- 13 1. Shall be removed no later than three days after the property is no longer for rent, lease, or sale.

14 E. *Miscellaneous signs.*

Sign type or location	Max #	Max sign area (sq. feet)	Max height (feet)	Notes
Open, closed, hours of operation (Building-mounted only)	1 for each entrance/exit	4	NA	Information pertinent to the business operation.
Non-illuminated window signs	NA	12	NA	Signage in excess of this standard shall be counted as part of the building-mounted signage allowance.
Signs on the body of coin-operated vending machines, gasoline pumps, telephone booths and ice vending equipment	NA	NA	NA	
Signs on an umbrella attached to a table at an outdoor eating place or alcoholic beverage establishment	NA	NA	NA	Table and umbrella must be otherwise lawfully permitted.
Decorative vertical pole banners	NA	18	NA	Pole must be lawfully permitted and serve a dual purpose such as light poles.
Signs that are a permanent architectural feature of the building or structure	NA	NA	NA	Such as a cornerstone or other identifying letters carved into or embossed on the building, provided such letters are not illuminated apart from the building, are not made of a reflective material and do not contrast in color with the building.
Garage, yard, or estate sales	1	NA	NA	Must be on the premises of the associated dwelling and shall be removed no later than three days after the event.

1

2 F. *Pedestrian-oriented signs.*

Sign type	Max #	Max sign area	Max height	Notes
-----------	-------	---------------	------------	-------

		(sq. feet)	(feet)	
Under-canopy	1	4	NA	Permanently attached. Minimum 9-foot vertical clearance under sign. Not internally illuminated.
Pedestal	Either 1 pedestal sign or 1 message board sign	2.25	5	Permanently attached to ground. Outside of right-of-way and any pedestrian walkway. May be internally illuminated.
Message board	Either 1 pedestal sign or 1 message board sign	6	NA	Permanently attached to wall, door, or window. May be mounted in a protective frame up to 6 inches deep. May be internally illuminated.

1

2 G. *Flags.*

Sign location	Max flagpole height (feet)	Recommended flag dimensions (h x w) (feet)
Residential districts	25'	4'x6'
Nonresidential districts	30'	6'x10'

3

1. A flagpole may be freestanding or building-mounted.

4

2. The vertical dimension of the flag shall be a maximum of 20% of the height of the flagpole.

5

3. Freestanding flagpoles shall be set back at least 10 feet from any property line.

6

4. Shall not contain a commercial message.

7 H. *Strip lighting.*

8

1. Shall be no greater than one inch in diameter.

9

2. Shall be made of neon or some similar material that gives the appearance of neon.

10

3. Shall not face any property zoned or developed as single-family residential that is located within 200 feet of the strip lighting.

11

12

4. Shall obtain all necessary electrical permits.

13

5. Shall be separated by at least five feet from any signs so that it would in no way be construed as being part of the total area allowed for the signs.

14

15

6. Shall not contain a commercial message.

16

I. *Murals and other works of art.* Murals and other works of art, as defined in Chapter 5.5 of the Code of Ordinances, shall not require a sign permit provided that they meet any applicable regulations in Section 30-10.6 and have no electrical parts or usage unless ULI listed, and contain no commercial message. Any part of a mural or work of art that contains a commercial message shall require a sign permit and shall be included within the applicable calculation of maximum allowable sign area.

17

18

19

20

1 **Section 30-9.5. Permitting.**

- 2 A. *Permit required.* Unless otherwise expressly authorized by this sign code, it shall be unlawful to use,  
3 erect or cause to be erected, maintain or cause to be maintained, alter or extend any new or  
4 existing sign without first obtaining a permit from the city.
- 5 B. *Interim signs.* An owner or designated agent who has moved to a new location or whose existing  
6 sign is being replaced due to damage, destruction, or to make it conforming to this sign code may  
7 apply, at no fee, for an interim sign permit. The permit shall expire 120 days from issuance or when  
8 a permanent sign is installed and permitted according to this section, whichever occurs first. Interim  
9 sign permits may not be extended or renewed and interim signs shall be removed within 3 days  
10 after expiration of the interim sign permit.
- 11 C. *Application.* The owner or designated agent shall apply for any sign permits required by this sign  
12 code by submitting an application to the office of the building official on a form furnished by the  
13 city. All applications shall include the following:
- 14 1. The street address of the real property upon which the sign is to be located and the proposed  
15 location of the sign on the property. In the absence of a street address, a method of location  
16 acceptable to the City Manager or designee shall be used.
  - 17 2. The name and address of the owner or other person in control or possession of the real  
18 property upon which the sign is to be located.
  - 19 3. Written consent of such owner, his/her lessee, or his/her agent, granting permission for the  
20 construction, operation, maintenance or display of the sign.
  - 21 4. The name of the sign contractor, if any.
  - 22 5. The type of sign as defined in this sign code.
  - 23 6. A map showing all structures, all street frontages, the location of all existing and proposed  
24 sign(s), a north arrow, and all trees having a diameter of 12 inches or more at a height of 4 ½  
25 feet above the ground that will be removed for the construction and display of the sign.
  - 26 7. A plan, sketch, blueprint, blue line print or similar presentation drawn to scale, showing all  
27 pertinent structural details, wind pressure requirements, display materials, and other  
28 information in accordance with the requirements of the Standard Building Code.
  - 29 8. The height, shape and dimensions of the sign structure, if any, and the dimensions and shape of  
30 the sign area.
  - 31 9. A landscape plan that includes, at a minimum, the size (in gallons) of any required plants and the  
32 common and scientific names of the plants, all of which shall be healthy, disease and pest free,  
33 and hardy for the North Florida region. Plant height shown on the sign elevations shall be the  
34 height expected within two years.
  - 35 10. The actual cost of the sign.
  - 36 11. Any other information reasonably required by the City Manager or designee to determine  
37 whether such sign is in compliance with the requirements of this sign code.
- 38 D. *Procedure.*
- 39 1. *Time limit.* The City Manager or designee shall grant or deny a sign permit application within 30  
40 days from the date a completed application and payment of the permit fee was submitted to

1 the city. If the City Manager or designee fails to take action by either granting or denying a sign  
2 permit application within this specified period, it shall be deemed approved.

3 2. *Issuance or denial of permit.*

4 a. If the City Manager or designee determines that the application meets the requirements of  
5 this sign code and all building, electrical and other applicable regulations of the city, the City  
6 Manager or designee shall approve the application and issue the sign permit contingent on  
7 an inspection after installation/alteration.

8 b. If the City Manager or designee determines that the application fails to meet one or more  
9 requirements of this sign code or building, electrical or other applicable regulations of the  
10 city, the City Manager or designee shall deny the application and shall make a written report  
11 of the denial and the reasons therefore. A copy of the report shall be sent by certified mail  
12 to the applicant.

13 c. If the application is denied, the applicant may submit an amended application within 15  
14 days of the date posted on the notice of denial without additional cost. The City Manager or  
15 designee shall grant or deny an amended application within 30 days of receipt. If the City  
16 Manager or designee fails to take action by either granting or denying an amended  
17 application within this specified period, it shall be deemed approved.

18 3. *Appeal.* The decision of the City Manager or designee to approve or deny a sign permit  
19 application is an administrative decision that can be appealed as provided in Section 30-4.85 of  
20 this chapter.

21 E. *Fees.* Applications for a sign permit shall be accompanied by a fee in the amount established by the  
22 buildings and building regulations section set forth in Appendix A.

23 F. *Expiration of permit.* Any sign permit issued pursuant to this sign code shall expire within six months  
24 after the date of issuance, unless such signs are constructed and installed within the six-month  
25 period.

26 G. *Penalty.* Notwithstanding any other provision of this chapter, a fee of double the amount normally  
27 required for the sign permit shall be charged for any work commenced without an issued permit.

28 **Section 30-9.6. General Regulations for All Signs.**

29 A. *Location.*

30 1. *Traffic and pedestrian hazards.* No sign shall be located in such a manner as to obstruct the  
31 vision of pedestrians or motorists, including obstructions within the vision triangle as provided  
32 in the Engineering Design and Construction Manual. However, signs may be located at least  
33 eight feet above the highest crown of any adjacent street when such sign is mounted upon a  
34 sign support structure that does not exceed 8 inches in diameter. Any sign producing glare or a  
35 method of illumination that constitutes a hazard to traffic is prohibited. No sign may use the  
36 words "Stop," "Look," "Drive in," "Danger" or any similar word, phrase, symbol or character  
37 within ten feet of a public right-of-way or 200 feet of a traffic control device.

38 2. *Building ingress/egress.* Signs shall not be located in such a manner as to obstruct  
39 ingress/egress through any door or window required or designed for ingress/egress to any  
40 building, and shall not obstruct or be attached to a fire escape.



1 3. *Right-of-way.* No signs, other than signs identifying public property, shall be located in or on  
2 any public right-of-way.

3 B. *Measurement.*

4 1. *Sign height.* The height of a freestanding sign shall be measured vertically from the established  
5 average grade directly below the sign to the elevation of the highest point of the sign.

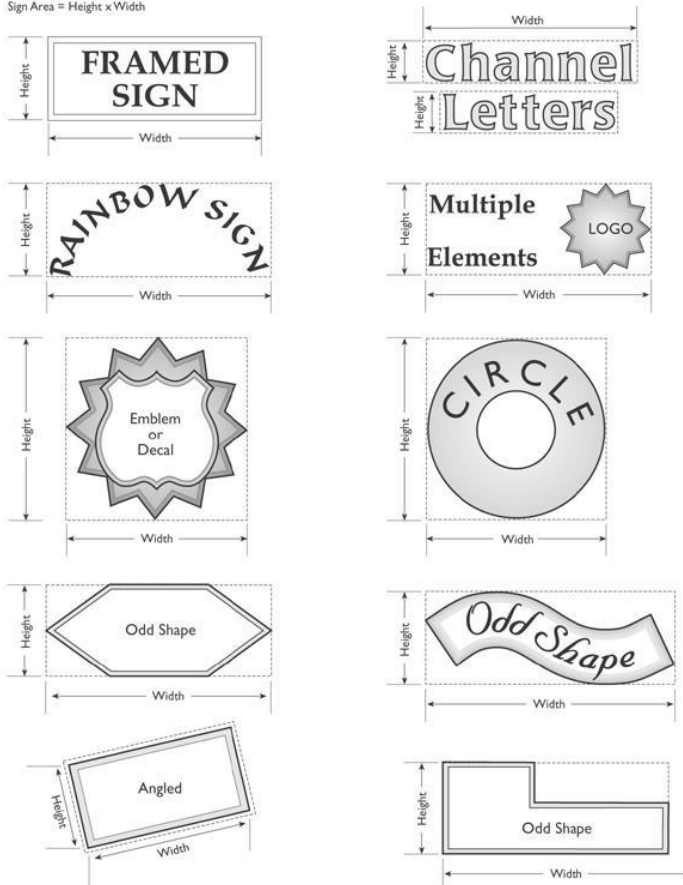
6 2. *Distance between signs.* The minimum required distance between signs shall be measured from  
7 the closest parts of any two sign areas.

8 3. *Sign area.*

9 a. The sign area shall be calculated as defined.

10

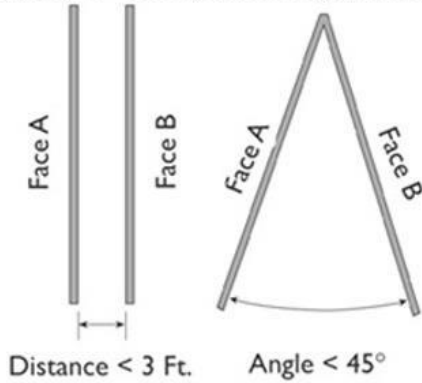
Sign Area = Height x Width



11  
12

13 b. Double-faced signs shall be counted as a single-faced sign when the two faces are parallel or  
14 at an angle of less than 45 degrees. Where the faces are not equal in size, the larger sign  
15 face shall be used as the basis for calculating sign area.

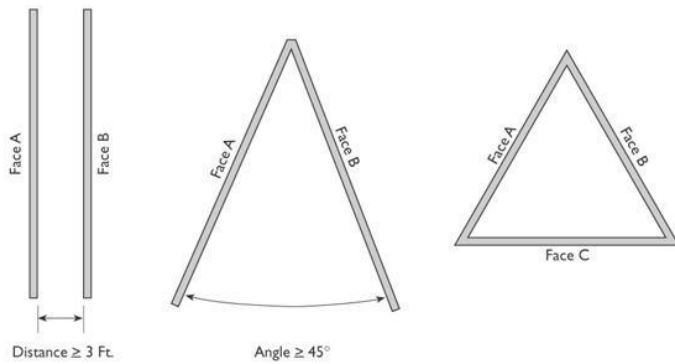
Total Sign Area = Face A or Face B, whichever is larger



1  
2  
3  
4  
5  
6

- c. Signs with three or more sign faces, or signs with two sign faces with a distance greater than three feet apart or an interior angle equal to or greater than 45 degrees, shall calculate the sign area as the sum of all the sign faces.

Total Sign Area = Sum of All Sign-Faces



7  
8  
9

C. *Illumination.*

- 10 1. Signs may be illuminated with a steady light. Illumination that gives the effect of blinking,  
11 flashing, or moving is prohibited.
- 12 2. Sign illumination shall be designed to minimize light pollution and shall meet the light trespass  
13 requirements set forth in the outdoor lighting section of the Land Development Code.
- 14 3. *Colored lights.* Colored lights shall be designed to prevent confusion with traffic control signals.  
15 No sign located within 10 feet of public right-of-way or within 200 feet of traffic control signals  
16 shall contain red or green lights. Color-changing light or lighting, including when located in, on,  
17 or near a window or transparent door and intended to be visible to members of the public who  
18 are located outdoors, is prohibited.
- 19 4. *Bare-bulb illumination.* Bare-bulb illumination of signs is permitted only in districts zoned MU-1,  
20 MU-2, BUS, BA, BT, CCD, UMU-1, and UMU-2.
- 21 5. *Flame.* Flame as a source of light for signs is permitted if it meets adequate fire safety standards  
22 as prescribed by the City Manager or designee.

1 D. *Substitution of message.* Any sign used in conformance with the provisions of this sign code may at  
 2 the option of the owner contain either a commercial or noncommercial message.

3 **Section 30-9.7. Permanent Signs.**

4 A. *In general.* Permanent signs are signs that are intended to be used for an indefinite period of time  
 5 and that are attached to a building, structure or to the ground in a manner that resists  
 6 environmental loads, such as wind, precludes ready removal or movement of the sign, and meets  
 7 applicable Florida Building Code standards. Permanent signs include but are not limited to building-  
 8 mounted signs, freestanding signs, identification signs and directional signs.

9 B. *Building-mounted signs.* Building-mounted sign allowance may be used by a combination of wall,  
 10 window, mansard, parapet, awning, marquee, or canopy signs, and shall not exceed the maximum  
 11 sign area established below. Except where otherwise specifically provided, building-mounted signs  
 12 may be permitted as follows.

13 1. *General provisions.*

14 a. *Projecting.* Signs shall not extend horizontally beyond the edges of the awning, marquee,  
 15 mansard, or parapet to which they are attached or from which they are suspended and no  
 16 more than four feet horizontally from the wall. Signs shall not project vertically above the  
 17 roofline. Such signs under which a pedestrian walkway passes must have at least a nine-  
 18 foot vertical clearance.

19 b. *Canopy.* Permitted only when canopy is connected to the principal building, in which case  
 20 the face of the canopy is considered a part of the face of the principal building.

21 c. *Wall.* Where a wall supporting a building-mounted sign is less than 12 inches from a public  
 22 right-of-way, the wall sign may project over the right-of-way, provided it does not project  
 23 more than 12 inches from the wall.

24 d. *Common area.* The allowable sign area of two or more occupants may be placed on a  
 25 commonly owned area of a multi-occupancy development, provided that only one sign may  
 26 be displayed at each entrance.

27 2. *Residential districts.*

Sign Type	Max #	Max sign area (sq. feet)
Building-mounted	Principal use: 1 Accessory use (if applicable): 1	Principal: 24 Accessory: 18

28 3. *Nonresidential districts.*

29 a. *Single and multiple-occupancy developments – two stories or less.*

Sign type	Max #	Max sign area (sq. feet)
Occupant	2 per occupant, plus:  Additional: 1 for each exterior building wall that	Length of leased space x 1.5, up to 200 max aggregate per occupant, plus:  Additional: 50 – second side 24 – third side

	is part of an occupant's space	24 – fourth side
Directional	1	6

1

2

b. *Single and multiple-occupancy developments – greater than two stories.*

Sign type	Max #	Max sign area (sq. feet)
Primary	2 (3 if primary frontage greater than 500 linear feet), plus:  Additional: 1 for each exterior building wall	300 max aggregate
Occupant	2 per occupant, within the building sign band	Length of leased space x 1.5, up to 100 max aggregate per occupant
Directional	1	6

3

4

5

6

7

4. *Parking garage.* Building-mounted signs with a maximum aggregate sign area of 75 square feet per street frontage may be permitted. In addition, if the parking garage has ground floor retail, each occupant is allowed two signs equal to the width of leased space x 1.5, up to a maximum aggregate of 100 square feet per occupant. At each vehicle entrance to the parking garage, two directional signs (entrance /exit) are allowed with a maximum sign area of six square feet each.

8

9

C. *Freestanding signs.* Except where otherwise specifically provided, freestanding signs may be permitted as follows:

10

1. *Residential districts.*

Sign Type	Max #	Max sign area (sq. feet)	Max height (feet)
Freestanding	1	32 – Monument  24 – Pole	8

11

12

2. *Nonresidential districts.*

Sign Type	Max # (See a. below)	Max sign area (sq. feet) (See b. below)	Max height (feet)
Primary frontage	1	Monument: Frontage up to 50 ft.: 32 Frontage 51-100 ft.: 40 Frontage 101 ft. or more: frontage x 0.5, up to 120  Pole:	10

		Frontage up to 50 ft.: 24 Frontage 51-100 ft.: 32 Frontage 101 ft. or more: frontage x 0.4, up to 96	
Additional primary frontage	1 additional if primary frontage greater than 500 linear feet	75 – monument 50 – pole	10
Secondary frontage	1	30 – monument 24 – pole	8
Outparcel	1	Frontage 151-200 ft.: 38 – monument 32 – pole Frontage 201 ft. or more: 58 – monument 48 – pole	8
Directional for developments with greater than 300,000 square feet of floor area	N/A (shall not be located within 100 feet of any public right-of-way)	50 (single-occupancy developments shall be limited to two square feet per individual sign face)	6

- 1
- 2 a. *Max #.* Each single or multiple occupancy development shall be allowed one primary
- 3 frontage freestanding sign. One additional primary frontage sign shall be allowed on any
- 4 primary frontage that is greater than 500 linear feet, and must be located at least 50 feet
- 5 from any other sign. A single or multiple occupancy development with a secondary frontage
- 6 shall be allowed one additional freestanding sign on the secondary frontage.
- 7 A freestanding sign shall be allowed on developed outparcels that are greater than 22,500
- 8 square feet in area and have a street frontage that is greater than 150 linear feet. An
- 9 allowable freestanding sign on a corner outparcel may be located along either street
- 10 frontage, provided it otherwise meets the requirements of this chapter.
- 11 b. *Max sign area.* A freestanding sign may be either a monument sign or a pole-mounted sign.
- 12 A size bonus is provided for monument signs. No signage shall be displayed on the base of
- 13 any monument sign.
- 14 c. *Setback.* Frontage signs shall be setback from the corresponding frontage ends at a distance
- 15 equal to 10% of the length of the frontage, with a minimum setback of ten feet and a
- 16 maximum setback of 50 feet.
- 17 3. *I-75 corridor signs.*
- 18 a. For purposes of this subsection, I-75 corridor signage shall be restricted to permitted uses in
- 19 nonresidential districts that are located within one-fourth mile of the centroid of an I-75
- 20 interchange with any arterial roadway.
- 21 b. In addition to signage otherwise allowable per this sign code, an additional freestanding sign
- 22 with a maximum height of 18 feet shall be allowed on a development (including outparcels),

provided that the sign area of such sign in combination with other permitted signs on the development does not exceed a maximum sign area of 300 square feet. Such sign shall be readily visible from I-75. The location of this sign shall not be limited to properties actually abutting I-75; however, no I-75 corridor sign shall be located on any frontage where the adjacent or facing properties are designated single-family on the future land use map.

c. *Height extension.* An owner or designated agent may apply for a height extension to allow for an I-75 corridor sign with a maximum height greater than 18 feet. However, under no circumstances may a sign exceed a height of 90 feet. Applications for a height extension shall be accompanied by a fee in the amount established for a variance as set forth in Appendix A. The City Plan Board shall review height extension applications and shall approve or deny the application based upon the following special considerations. The City Plan Board shall approve an application for a height extension only when the applicant proves each of the following requirements:

- i. A registered engineer certifies or other reliable documentary evidence proves that, due to special conditions and circumstances relative to topography, vegetation or the built environment, a sign with a height of 18 feet or less cannot be seen by motorists on I-75 at a distance of one-fourth mile from the nearest exit ramp;
- ii. The height extension requested is the minimum necessary to achieve such visibility;
- iii. The circumstances and/or special conditions do not result from the actions of the applicant;
- iv. The height extension will have general compatibility and harmony with the uses and structures on adjacent and nearby properties; and
- v. The sign otherwise complies with all applicable regulations of this sign code.

The City Plan Board may prescribe appropriate conditions and safeguards to ensure the structural integrity and safety of the sign and to landscape and buffer the sign structure to ensure compatibility and harmony with the uses and structures on adjacent and nearby properties.

D. *Identification signs.*

- 1. *Multiple-family residential development, community residential home with more than 14 residents, and mobile home park identification signs.*

<b>Sign Type</b>	<b>Max #</b>	<b>Max sign area (sq. feet)</b>	<b>Max height (feet)</b>
Identification	1 per entrance; may be one double-sided sign or two single-faced signs on either side of an entrance	Primary entrance, less than 6 units: 16 Primary entrance, 6 or more units: 24 Additional entrance(s): 16	8

- a. If the property has more than one frontage but no approved entrance on the additional frontage(s), one additional sign may be placed on one additional frontage and will be regulated as an additional entrance sign.

- 2. *Residential subdivision, nonresidential subdivision, and neighborhood identification signs.*

Sign Type	Max #	Max sign area (sq. feet)	Max height (feet)
Residential subdivisions and neighborhood signs	1 per entrance; may be one double-sided sign or two single-faced signs on either side of an entrance	Primary entrance: 24 Additional entrance(s): 16	8
Nonresidential subdivisions	1 per entrance; may be one double-sided sign or two single-faced signs on either side of an entrance	Per lot: 6 Max 115 – monument Max 96 – pole	8
Minor subdivisions	1	18	8

1

2 E. *Gainesville Regional Airport.*

Sign Type	Max #	Max sign area (sq. feet)	Max height (feet)	Notes
Freestanding	4	360 max aggregate for all freestanding signs	10	
Building-mounted				As approved by the Gainesville Alachua County Regional Airport Authority (GACRAA); no city approval required
Directional				As approved by the Gainesville Alachua County Regional Airport Authority (GACRAA); no city approval required

3 **Section 30-9.8. Temporary Signs.**

4 A. *In general.* Temporary signs are signs not intended for permanent installation that are to be used  
5 for a limited period of time. Temporary signs shall not be illuminated and shall be constructed and  
6 affixed to the ground, an existing permanent sign, or a structure in such a way that does not create a  
7 safety hazard and that complies with applicable Florida Building Code standards.

8 B. *Special events.*

- 9 1. Signs that fall in this category include, but are not limited to, signs related to special events,  
10 sales events, future openings, grand openings, and leasing of rental property.
- 11 2. The sign may be posted no earlier than ten days prior to the event or activity and must be  
12 removed no later than three days after the event or activity ends, and may be posted for a total  
13 of no more than 60 consecutive days per event. Unless otherwise permitted by the Land

1 Development Code, signs under this subsection may be used for no more than two events per  
2 year.

Sign location	Max #	Max sign area (sq. feet)	Max height (feet)	Setback from side property line (feet)
Residential district	1 per property in single-family district. 4 per multi-family development.	6	4	10
Nonresidential district	2 per development.	32	8	15

3  
4 C. *Street banners.*

5 1. No sign may be erected, constructed or maintained along or across any public streets, except  
6 across-street and vertical pole banners shall be permitted over or along certain streets  
7 designated by the City Manager and the General Manager for Utilities. An application shall be  
8 filed with the City Manager or designee together with a banner installation fee in an amount  
9 prescribed by the General Manager for Utilities to allow full cost recovery to the city. The  
10 following conditions and regulations shall apply:

- 11 a. Banners shall relate to an event that will be open to the general public and that is scheduled  
12 to occur within the city or unincorporated Alachua County.
- 13 b. Banners shall not contain: 1) any commercial message; 2) any phone numbers or addresses;  
14 or 3) any traffic directions or traffic signage that may cause a traffic or pedestrian hazard.
- 15 c. The City will install street banners no more than 14 days prior to the event and will remove  
16 them no later than seven days following the event.

17 **Section 30-9.9. Sign Maintenance.**

- 18 A. All signs and sign structures regulated by this chapter, including any supports, braces, guys and  
19 anchors, electrical parts, lighting fixtures and all painted and display areas shall be maintained to  
20 present a neat, clean appearance and maintained in a safe condition. Painted areas and sign  
21 surfaces shall be kept in good condition, and illumination, if provided, shall be maintained in safe  
22 and good working order.
- 23 B. Weeds and grass shall be kept cut in front of, behind, underneath and around the base of  
24 freestanding signs for a distance of ten feet, and no rubbish or debris shall be permitted under or  
25 near such signs.
- 26 C. Any sign that becomes dilapidated, run down, or a safety hazard shall be repaired or removed by the  
27 owner or designated agent.

28 **Section 30-9.10. Nonconforming and Abandoned Signs.**

- 29 A. *Nonconforming signs.* Any sign that does not comply with the requirements of this chapter, but for  
30 which a permit has previously been issued by either the city or Alachua County, shall be deemed  
31 legally nonconforming. The owner of any legally nonconforming sign or the owner of any property  
32 upon which such sign is located shall bear the burden of proving that such sign is a legally  
33 nonconforming sign. All other signs that do not comply with the requirements of this chapter and



1 that are not legally nonconforming shall immediately be removed or brought into compliance with  
2 this chapter.

- 3 1. All legally nonconforming signs shall be allowed to remain as originally permitted.
- 4 2. Reasonable repair and maintenance necessary to keep a legally nonconforming signs in a good  
5 state of repair is allowed, and may include but is not limited to:
  - 6 a. Changing light bulbs, neon, or other light source;
  - 7 b. Changing the face of a cabinet sign, or other modification that only involves a change of  
8 copy;
  - 9 c. Replacing cladding or other components that hold a sign face in place;
  - 10 d. Painting, cleaning, and other maintenance activities that do not affect the type, height, or  
11 size of the sign structure; and
  - 12 e. Repairing electrical components.
- 13 3. Reasonable repair and maintenance does not include, by way of example and not limitation:
  - 14 a. Any modification that changes the structure or type of structure, such as conversion of a  
15 wooden sign structure to a metal sign structure, or otherwise prolongs the life of the sign  
16 structure;
  - 17 b. Any modification, including the addition of embellishments, that changes the sign area or  
18 the height above ground level; and
  - 19 c. Any modification that adds internal or external illumination, or increases the existing  
20 illumination.
- 21 4. A legally nonconforming sign shall be removed or brought into compliance with this sign code if  
22 any of the following conditions apply:
  - 23 a. The sign becomes damaged, destroyed or deteriorated by any means to the extent that it  
24 requires more than reasonable repair and maintenance, as described in subsection 2 above,  
25 or if the cost of renovation or repair exceeds 50% of the replacement cost of the sign;
  - 26 b. The principal structure on the parcel or parcels is demolished or requires renovations the  
27 costs of which exceed 50% of the assessed value of the structure; or
  - 28 c. The nonconforming sign is moved for any reason.
- 29  
30 5. *Historic signs.* A sign that has been added to the local historic register in accordance with  
31 Section 30-9.36 shall not be considered a nonconforming sign and shall be exempt from the  
32 limitations of this subsection.

33 B. *Abandoned signs.*

- 34 1. A nonconforming abandoned sign shall be removed or brought into compliance within 30 days  
35 after it is deemed abandoned.
- 36 2. An abandoned sign that otherwise complies with the requirements of this sign code may  
37 remain, provided the owner takes one of the following actions:
  - 38 a. Paints over or otherwise conceals the message on the sign;

- b. Removes the sign face and replaces it with a blank sign face;
- c. Reverses the sign face and does not illuminate the sign; or
- d. Uses the sign structure to display the message "this space available" or words of similar significance, and the name and telephone number of the owner or the owner's agent, while the premises are vacant. A sign which contains such a message shall be deemed an allowable real estate sign for which a permit shall not be required.

**Section 30-9.11. Enforcement.**

- A. *Duties of enforcing official.* The City Manager or designee shall be the enforcing official. The enforcing official is charged with the duty of administering and securing compliance with the provisions of this sign code. In furtherance of this responsibility, the enforcing official shall:
  - 1. Make such inspections as may be necessary to bring about the purpose and intent of this sign code and initiate appropriate action to bring about compliance if such inspection discloses any instance of noncompliance;
  - 2. Investigate thoroughly any complaints of alleged violations of this sign code, and indicate clearly in writing as a public record in his/her office the disposition made of such complaints;
  - 3. Order in writing as set out below the remedy of all conditions or all violations of the sign code found to exist in or on any premises;
  - 4. State in the violation order a time limit for compliance; and
  - 5. Request the assistance of the City Attorney in taking appropriate legal action upon the failure of the responsible party to comply with such violation order by the time specified therein.
- B. *Right of entry.* The enforcing official or his/her agent is authorized and directed to lawfully enter in and upon all premises at reasonable times to determine their condition insofar as the provisions of this sign code are applicable.
- C. *Contents of notice of violation.* Whenever the enforcing official determines that a violation of this sign code exists, the official is authorized to issue a citation pursuant to Section 2-337. Time for compliance shall be as follows:
  - 1. For all prohibited signs as specified in Section 30-10.3, temporary signs as specified in Section 30-10.8, and all other signs of a nonpermanent nature, the time may not be less than one hour nor more than 24 hours from the time of such written notice. However, any condition found to exist in violation of this sign code that constitutes a hazard to the public safety shall be required to be abated immediately.
  - 2. All other signs. For all signs not specified in subsection C1. of this section, the time may not be less than ten days nor more than 90 days from the date of such written notice. However, any condition found to exist in violation of this sign code that constitutes a hazard to the public safety shall be required to be abated immediately.
- D. *Unauthorized signs in right-of-way.* Any sign placed in the public right-of-way in violation of this sign code shall be deemed to be abandoned and may be removed immediately by an enforcing official or agent. Any sign so removed may be disposed of by the city without notice or compensation. This removal shall not preclude prosecution or imposition of penalties for violation of this sign code.

1 E. The enforcing official or agent may cause any sign that is a hazard or poses immediate peril to  
2 persons or property to be removed immediately at the expense of the owner, lessee or other person  
3 having beneficial use of the sign, or the owner or lessee of the land upon which the sign is located.

4